

POE IP CAMERA – SMART ENCODING

2MP FHD IR Dome IP Camera 2.1mm Lens

BX9-2MPD021



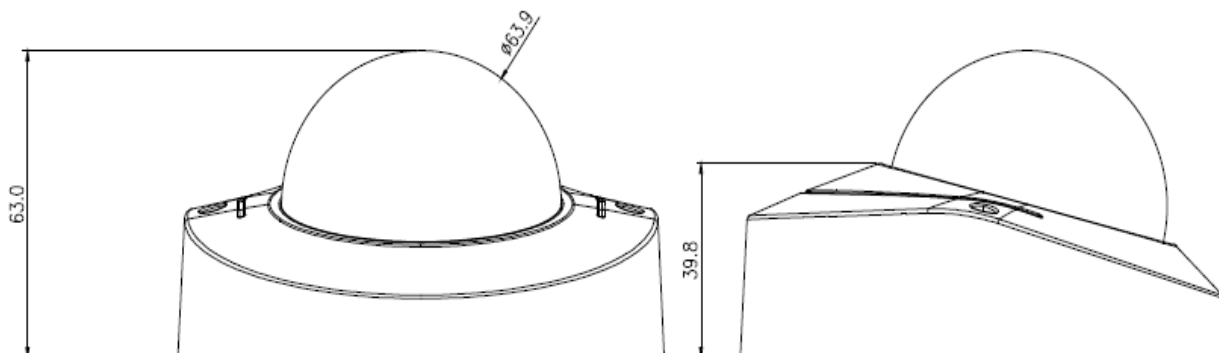
Key Features

- 1/2.7" CMOS Low light CMOS sensor
- Max. 2MP resolution 1920 x 1080 output
- low illumination 0.01Lux
- Day/Night (ICR), AWB, AGC, BLC, 2D/3D-DNR, IR-CUT
- D-WDR, HDR, Motion Detection, Privacy Mask, Mirror, Flip
- RTSP and Onvif 2.6 compatible
- H.265/H.264 dual-stream media server
- Easy-to-use P2P Cloud service
- Multi web browser, PC Client, mobile APP remote access
- Optional customization Lens/Audio/POE, etc.
- Lightning protection 4000V
- Strong water-proof housing, IP66
- 10 Array IR LEDs, IR distance 10-15 meters
- HD 2.1mm Fixed lens

Specifications

	BX9-2MPD021
Camera	
Image Sensor	1/2.7" CMOS SENSOR
Effective Pixels	1945(H)×1097 (V)
Electronic Shutter	AUTO, 1/25s ~ 1/100000s
Min. Illumination	0.01Lux@F1.2 (AGC ON), 0Lux IR on
Day/Night	Auto/Color/(B/W)/Timing
WDR	Digital WDR/HDR
White Balance	Auto
Other	AGC,2/3 DNR, Motion Detection, Privacy Mask, Mirror, Flip
Encode	
Video Standard	H.265/H.264
Video Resolution	Main Stream: 2MP@25fps, 720P@30fps Sub stream: D1 / VGA (640x480) /360P /QVGA@25fps
Video Bitrates	32Kbps - 6Mbps, VBR/CBR
Audio Standard	G.711-u/G.711-a
IR Led	
IR Led	10 Array IR LEDs
IR Distance	10-15 meters
Lens	
Focal length	2.1mm Fixed lens
Optional Function	
POE, Audio, Alarm In/Out, SD card, etc.	
Network Services	
Protocol	RTSP/FTP/DHCP/NTP
P2P	Yes
Web	IE, Firefox 32bit ESR
Media	CMS, Android, IOS
ONVIF	2.6 compatible
General	
Network Port	1-RJ45, 100Mbps, POE
Power Supply	12 VDC ± 10%
Power Consumption	< 5 W
Operating Temp.	-30°C to 60°C, 10%-90%RH

Dimensions



Accessory

