

POE NETWORK VIDEO RECORDER

BX8-S32P16H4 Series – 32 Channels



Key Features

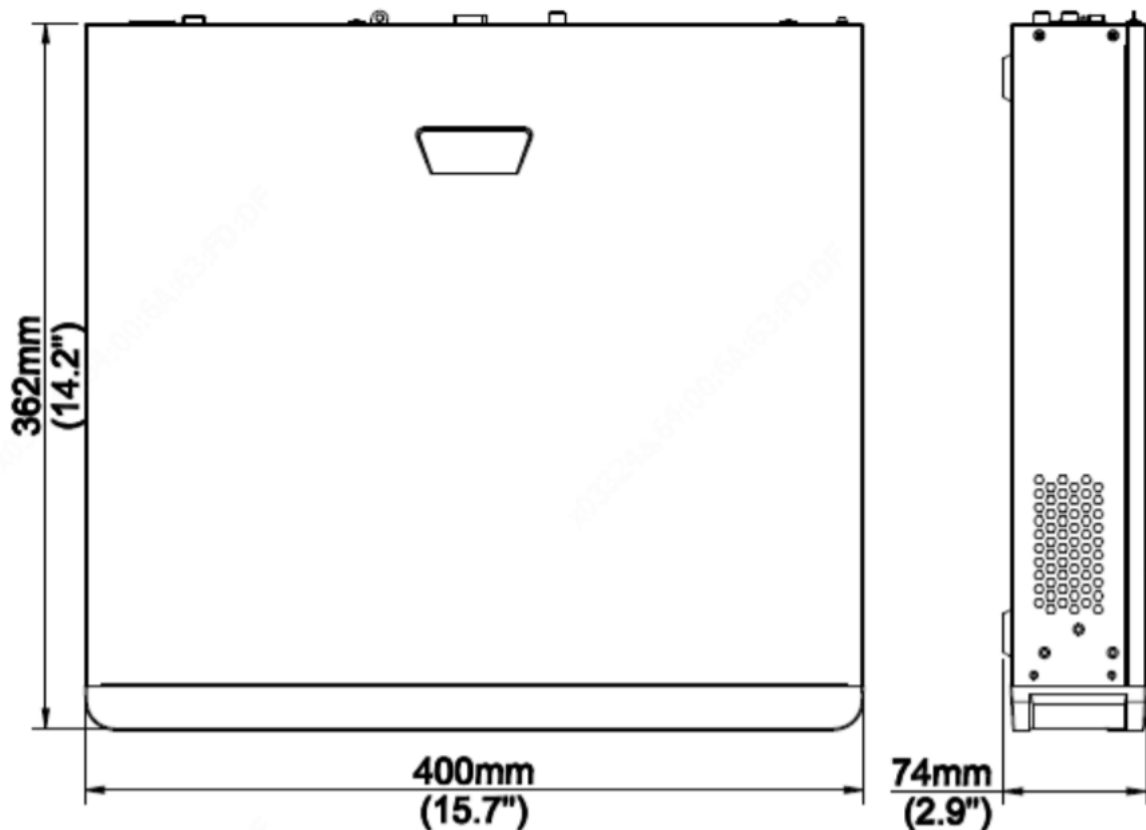
- Support Smart Encoding/Ultra 265/H.265/H.264 video formats
- 32-channel input
- Third-party IP cameras supported with ONVIF conformance: Profile S | G | T
- Support 1-ch HDMI, 1-ch VGA, HDMI up to 4K(3840x2160) resolution
- HDMI1/VGA simultaneous output
- Up to 8 Megapixels resolution recording
- 4 SATA HDDs, up to 15TB for each HDD
- Various fisheye de-warping modes for live view and playback for both web interface and GUI
- Plug & Play with up to 16 independent PoE network interfaces
- ANR technology to enhance the storage reliability when the network is disconnected
- Support cloud upgrade

Specifications

Model	BX8-S32P16H4
Video/Audio Input	
IP Video Input	32-ch
Two-way Audio Input	1-ch, RCA
Network	
Incoming Bandwidth	160Mbps
Outgoing Bandwidth	64Mbps
Remote Users	128
Protocols	P2P, UPnP, NTP, DHCP, PPPoE
Video/Audio Output	
HDMI/VGA output	HDMI1/VGA: 1920x1080p /60Hz, 1920x1080p /50Hz, 1600x1200 /60Hz, 1280x1024 /60Hz, 1280x720 /60Hz, 1024x768 /60Hz HDMI2: 4K (3840x2160) /60Hz, 4K (3840x2160) /30Hz, 1920x1080p /60Hz, 1920x1080p /50Hz, 1600x1200 /60Hz, 1280x1024 /60Hz, 1280x720 /60Hz, 1024x768 /60Hz
Recording Resolution	8MP/6MP/5MP/4MP/3MP/1080p/960p/720p/D1/2CIF/CIF
Audio Output	1-ch, RCA
Synchronous Playback	16-ch
Corridor Mode Screen	3/4/5/7/9/10/12/16/32
Decoding	
Decoding format	Smart Encoding/Ultra 265, H.265, H.264
Live view/Playback	8MP/6MP/5MP/4MP/3MP/1080p/960p/720p/D1/2CIF/CIF
Capability	2 x 4K@30, 4 x 4MP@30, 5 x 3MP@30, 8 x 1080p@30, 16 x 720P@30, 32 x D1@30
Hard Disk	
SATA	4 SATA interfaces
Capacity	up to 15TB for each HDD
Smart	
VCA Detection	Face detection, Intrusion detection, Cross Line detection, Enter Area detection, Leave Area detection, Scene Change detection, Defocus detection, Object Removed detection
VCA Search	Face search, Behavior search
Statistical Analysis	People counting
External Interface	
Network Interface	1 RJ45 10M/100M/1000M self-adaptive Ethernet Interface
Serial Interface	1 x RS485
USB Interface	Front panel: 1 x USB2.0 Rear panel: 1 x USB3.0
Alarm In	NA
Alarm Out	NA
Power Output	NA

PoE	
Interface	16 independent 100 Mbps PoE network interfaces
Max Power	Max 30W for single port Max 240W in total (12.5W for each)
Supported Standard	IEEE 802.3at/af
General	
Power Supply	100 ~ 240 VAC Power Consumption: ≤ 20W (without HDD)
Working Environment	-10°C ~ + 55°C (+14°F ~ +131°F), Humidity ≤ 90% RH (non-condensing)
Dimensions(WxDxH)	400mm x362mm x 74mm (15.7" x 14.2" x2.9")
Weight (without HDD)	≤5kg (11.02lb)

Dimensions



Rear Panel

